

benross®

16 Inch Stand Fan

Instruction Manual



**Item No. 43930,
43830 & 43840**

IMPORTANT SAFETY INSTRUCTIONS



READ THIS MANUAL BEFORE USING THIS APPLIANCE.



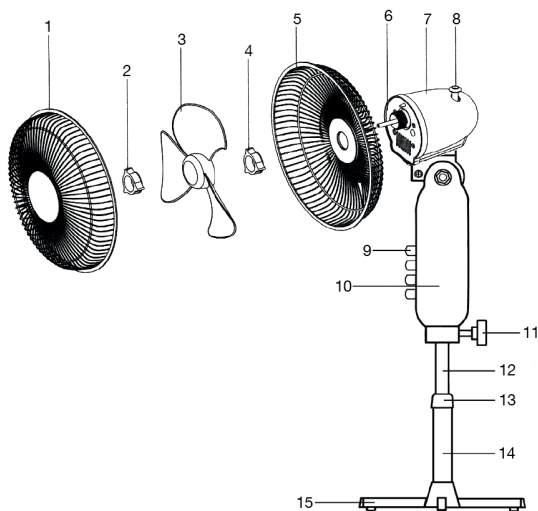
WARNING! READ ALL SAFETY WARNINGS AND INSTRUCTIONS FAILURE TO FOLLOW THE WARNINGS AND INSTRUCTIONS LISTED BELOW MAY RESULT IN ELECTRIC SHOCK, FIRE AND/OR INJURY

- **The intended use of this appliance is explained in this manual. The use of accessories other than those recommended in this manual may present a risk of personal injury.**
- **Always check the mains voltage corresponds to the voltage on the rating plate.**
- Incorrect operation and improper use can damage the appliance and cause injury to the user.
- The appliance may be used only for its intended purpose. No responsibility can be taken for any possible damage caused through incorrect use or improper handling.
- Before connecting the appliance to the power source, check that the current and power match those given on the rating label.
- Do not immerse the appliance or the plug in water or any other liquid. However should the appliance accidentally fall into water, make sure your hands are dry & unplug the appliance immediately. Discard the appliance once safe.
- Never attempt to open the housing yourself.
- Do not place any kind of object into the inside of the housing.
- Do not use the appliance with wet hands, on a damp floor or when the appliance itself is wet.
- Do not touch the plug with wet or damp hands.
- Check the cord and the plug regularly for any possible damage. If the cord or plug is damaged, it must be replaced by the manufacturer or a qualified person in order to avoid a hazard.
- Do not use the appliance if it is dropped or otherwise damaged or if the cord or plug are damaged. In the case of damage dispose of responsibly.
- Never attempt to repair the appliance yourself. This could cause an electric shock.
- Do not allow the cord to hang over sharp edges and keep it well away from hot objects and naked flames. Remove the plug from the socket only by holding the plug.
- Make sure that there is no danger that the cord or extension cord can inadvertently be pulled or cause anyone to trip when in use.
- Never insert anything into any of the grills.
- Make sure that the grills on the housing are never covered.
- For indoor use only.
- If an extension cord is used it must be suited to the power consumption of the appliance, otherwise overheating of the extension cord and /or plug may occur.
- Make sure that the grills on the housing are never covered.
- For indoor use only.

- If an extension cord is used it must be suited to the power consumption of the appliance, otherwise overheating of the extension cord and /or plug may occur.
- Never leave the appliance unattended while it is in use.
- This appliance shall not be used by children from 0-8 years. This appliance can be used by children aged from 8 years and above if they are continuously supervised. This appliance can be used by people with reduced physical, sensory or mental capabilities or lack of experience and knowledge if they have been given supervision or instructions concerning use of the appliance in a safe way and can understand the hazards involved. Keep the appliance and its cord out of reach of children aged less than 8 years. Cleaning and user maintenance shall not be made by children.
- Never use the cord to carry the appliance - use handles to carry the appliance.

PARTS

1. FRONT GUARD
2. SPINNER
3. FAN BLADES
4. GUARD MOUNTING NUT
5. BACK GUARD
6. MOTOR SHAFT
7. MOTOR HOUSING
8. OSCILLATING KNOB
9. SWITCHES
10. SWITCH COMPARTMENT
11. LOCK SPRING
12. UPPER TUBE
13. TUBE CONNECTOR
14. LOWER TUBE
15. CROSS BASE



ASSEMBLY

1. Secure lower tube with tube support to the hub of Cross Base with screw provided.
2. Extend upper tube, insert the tube connector through upper pipe onto lower tube and tighten.
3. Attach the motor with switch compartment onto the upper tube. Ensure the switch compartment is pushed fully onto the upper tube and secured with the screw provided.
4. Loosen Guard Mounting Nut from the Motor Housing.
5. Position Back Guard firmly to Motor Housing and then fasten by turning Guard Mounting Nut clockwise tightly.
6. Push the Blade along Motor Shaft. Fasten it firmly with spinner by turning counter clockwise.
7. Hang the Front Guard to Back Guard with the position fixer provided at the rim of Guard, and then fix together with clips provided.

OPERATION CONTROL

- Before using the fan, make sure that it is on a flat and stable surface. Damage may occur if the fan is placed on an incline.
- Insert the plug directly into a standard AC socket-outlet. Be sure that the plug fits tightly into the socket outlet.


- Press any of the buttons "1", "2", "3" on control panel to start the fan
- The fan speed will depend on button you choose
- Press button "0" to switch the fan off
- To make the fan oscillate, push down the oscillation knob
- To stop oscillation, pull up the oscillation knob
- To alter the pitch (angle) of the fan, release the pitch adjustment clamp, alter the angle, and re-tighten the clamp
- To alter the height of the fan, release the locknut for lifting, extend the shaft to desired height, and re-tighten the locknut

CARE AND CLEANING

To safely take care of your fan, please remember to follow these instructions below:

- Always remove the plug from the socket-outlet, and allow the fan to stop completely before cleaning the fan.
- Do not allow water to drip on, or enter into the fan housing.
- Always use a soft wet cloth to clean the body, and vacuum cleaner to clean the dust from the blades.
- Do not use any of the following agents as a cleaner: Gasoline, Thinners, or Benzene.
- In case of malfunction or doubt, do not try to repair the fan yourself, it may result in a fire hazard or electric shock.
- Clean the fan grill, housing and base with a soft damp cloth.
- Do not attempt to remove the fan blades. Please use caution around the motor housing area.
- Do not allow the motor, or other electrical components to be exposed to water.
- When storing your fan in the off-season, it is important to keep it in a safe dry location. It is important to protect the fan head from any dust. We strongly recommend using the original box, when storing the fan away.
- When cleaning the fan blades ensure that the fan is switched off from the mains supply before removing the guard.

PLUG:

1. This appliance has been fitted with a BS UK compliant plug which should not be replaced or removed.
2. The plug is fitted with 3 amp fuse link which is suitable for this type of appliance and should only be replaced by a fuse link of the same rating.
3. If access to the fuse link is only possible by removing the plug cover this must only be done by a suitably qualified person.
4. If the plug or the mains cable of this appliance is damaged do not use and dispose of the appliance responsibly.
5. This appliance is a Class 2 appliance protected by double and reinforced insulation and does not require earthing. Class2 appliances are indicated by this  symbol marked on the appliance rating plate.

Information on Waste Disposal for Consumers of Electrical & Electronic Equipment



This symbol indicates that this product should not be treated as normal household waste and it should be recycled. Please take it to your nearest collection facility or for further details contact your local council or visit www.recycle-more.co.uk.

Imported by Benross®



MADE IN P.R.C